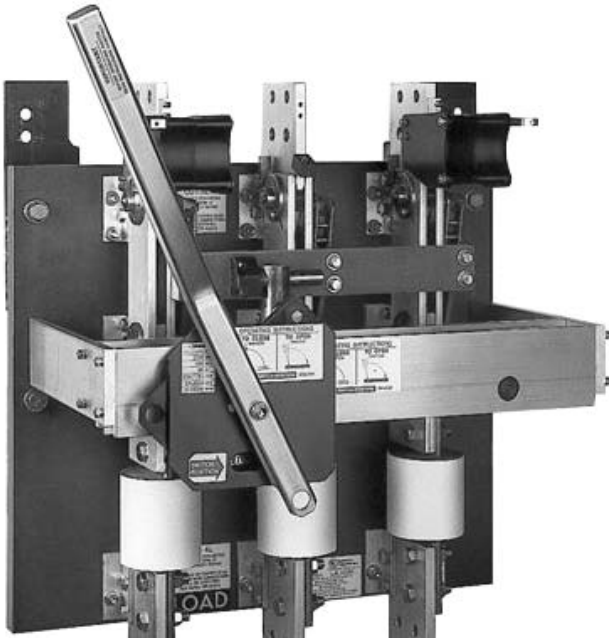


Pringle switch and replacement parts



Contents

Description	Page
Product description	2
Features	2
Pringle switch information	3
Catalog numbering systems	4
Pringle switch replacement parts	5
Cross-reference	5



Powering Business Worldwide

Product description

Eaton's Pringle™ switches have helped pioneer development of high-quality electrical products for commercial and industrial applications since 1891. Our commitment to engineering excellence and reputation for quality have made us a recognized leader in the electrical industry, and today you'll find our electrical products in use throughout the U.S., Canada and most of the world's major markets. Eaton's Pringle bolted contact switches were the first in the industry and are a worldwide standard in high-current switching applications. They are custom-built and used in many heavy-duty applications, and are suitable for use in UL® 891 switchboards.

Features

- 480V UL
- 600V CSA®
- 800–4000A
- 5000 and 6000A available (not UL Listed)
- 200 kAIC and 100% rated with Class L fuses
- Top or bottom feed
- Two-, three- or four-pole
- Optional blown fuse detection and protection
- Quick-positive switching action
- Manual or electrically operated mechanism
- 12X Make / 6X Break contact rating
- Can be supplied in NEMA® 1, 3R, 4, or 12 enclosures

Products include:

Manually operated (QA)—UL Listed

Manually operated contact switch with quick-positive switching action. It can be top or bottom fed and supplied in a NEMA 1, 3R, 4, or 12 enclosure.

Electrical trip (CBC)—UL Listed

Contact switch with charge-before-close mechanism. Can be manually or electrically tripped. Optional blown fuse detector and phase failure relay with capacitor trip is available.

Fault protector electrical trip (FP)—UL Listed

The FP combines the features of a CBC switch but includes an integrated zero-sequence sensor and a ground fault.

Electrically operated electrical trip (EO)—not UL Listed

The EO combines the features of a CBC switch but includes an operator with a linear motor that electrically closes the switch while charging the stored energy mechanism for stored energy trip.

Pringle Mill Switch (PMS)—not UL Listed

Manually operated contact switch with quick-positive switching action. Comes in a NEMA 12 or 4 enclosure with a side-operated mechanism. Can be fused or non-fusible, two- or three-pole configurations.

To place an order for a Pringle bolted pressure switch, please call
1-800-356-1243.

Pringle switch information

Table 1. Electrical Trip Switches (CBC)

Type	Feed	Amperes	Old Pringle Catalog Number	Vista Catalog Number
CBC	Bottom	800	CBC-0833-B-120	CB0833B120480
CBC	Bottom	1200	CBC-1233-B-120	CB1233B120480
CBC	Bottom	1600	CBC-1633-B-120	CB1633B120480
CBC	Bottom	2000	CBC-2033-B-120	CB2033B120480
CBC	Bottom	2500	CBC-2533-B-120	CB2533B120480
CBC	Bottom	3000	CBC-3033-B-120	CB3033B120480
CBC	Bottom	4000	CBC-4033-B-120	CB4033B120480
CBC	Bottom	5000	CBC-5033-B-120	CB5033B120480
CBC	Bottom	6000	CBC-6033-B-120	CB6033B120480
CBC	Top	800	QA-0833-CBC-120	CB0833T120480
CBC	Top	1200	QA-1233-CBC-120	CB1233T120480
CBC	Top	1600	QA-1633-CBC-120	CB1633T120480
CBC	Top	2000	QA-2033-CBC-120	CB2033T120480
CBC	Top	2500	QA-2533-CBC-120	CB2533T120480
CBC	Top	3000	QA-3033-CBC-120	CB3033T120480
CBC	Top	4000	QA-4033-CBC-120	CB4033T120480
CBC	Top	5000	QA-5033-CBC-120	CB5033T120480
CBC	Top	6000	QA-6033-CBC-120	CB6033T120480

Table 2. Fault Protectors (FP)

Type	Feed	Amperes	Old Pringle Catalog Number	Vista Catalog Number
FP	Bottom	800	FP-0834-B-480	FP0834B120480
FP	Bottom	1200	FP-1234-B-480	FP1234B120480
FP	Bottom	1600	FP-1634-B-480	FP1634B120480
FP	Bottom	2000	FP-2034-B-480	FP2034B120480
FP	Bottom	2500	FP-2534-B-480	FP2534B120480
FP	Bottom	3000	FP-3034-B-480	FP3034B120480
FP	Bottom	4000	FP-4034-B-480	FP4034B120480
FP	Top	800	FP-0834-480	FP0834T120480
FP	Top	1200	FP-1234-480	FP1234T120480
FP	Top	1600	FP-1634-480	FP1634T120480
FP	Top	2000	FP-2034-480	FP2034T120480
FP	Top	2500	FP-2534-480	FP2534T120480
FP	Top	3000	FP-3034-480	FP3034T120480
FP	Top	4000	FP-4034-480	FP4034T120480

Table 3. Manually Operated Switches (QA)

Type	Feed	Amperes	Old Pringle Catalog Number	Vista Catalog Number
QA	Bottom	800	QA-0833-B	QA0833B480 ①
QA	Bottom	1200	QA-1233-B	QA1233B480 ①
QA	Bottom	1600	QA-1633-B	QA1633B480 ①
QA	Bottom	2000	QA-2033-B	QA2033B480 ①
QA	Bottom	2500	QA-2533-B	QA2533B480 ①
QA	Bottom	3000	QA-3033-B	QA3033B480 ①
QA	Bottom	4000	QA-4033-B	QA4033B480 ①
QA	Bottom	5000	QA-5033-B	QA5033B480 ①
QA	Bottom	6000	QA-6033-B	QA6033B480 ①
QA	Top	800	QA-0833	QA0833T480 ①
QA	Top	1200	QA-1233	QA1233T480 ①
QA	Top	1600	QA-1633	QA1633T480 ①
QA	Top	2000	QA-2033	QA2033T480 ①
QA	Top	2500	QA-2533	QA2533T480 ①
QA	Top	3000	QA-3033	QA3033T480 ①
QA	Top	4000	QA-4033	QA4033T480 ①
QA	Top	5000	QA-5033	QA5033T480 ①
QA	Top	6000	QA-6033	QA6033T480 ①

① 208V system also available. For other system voltages, see Table 5 on Page 4.

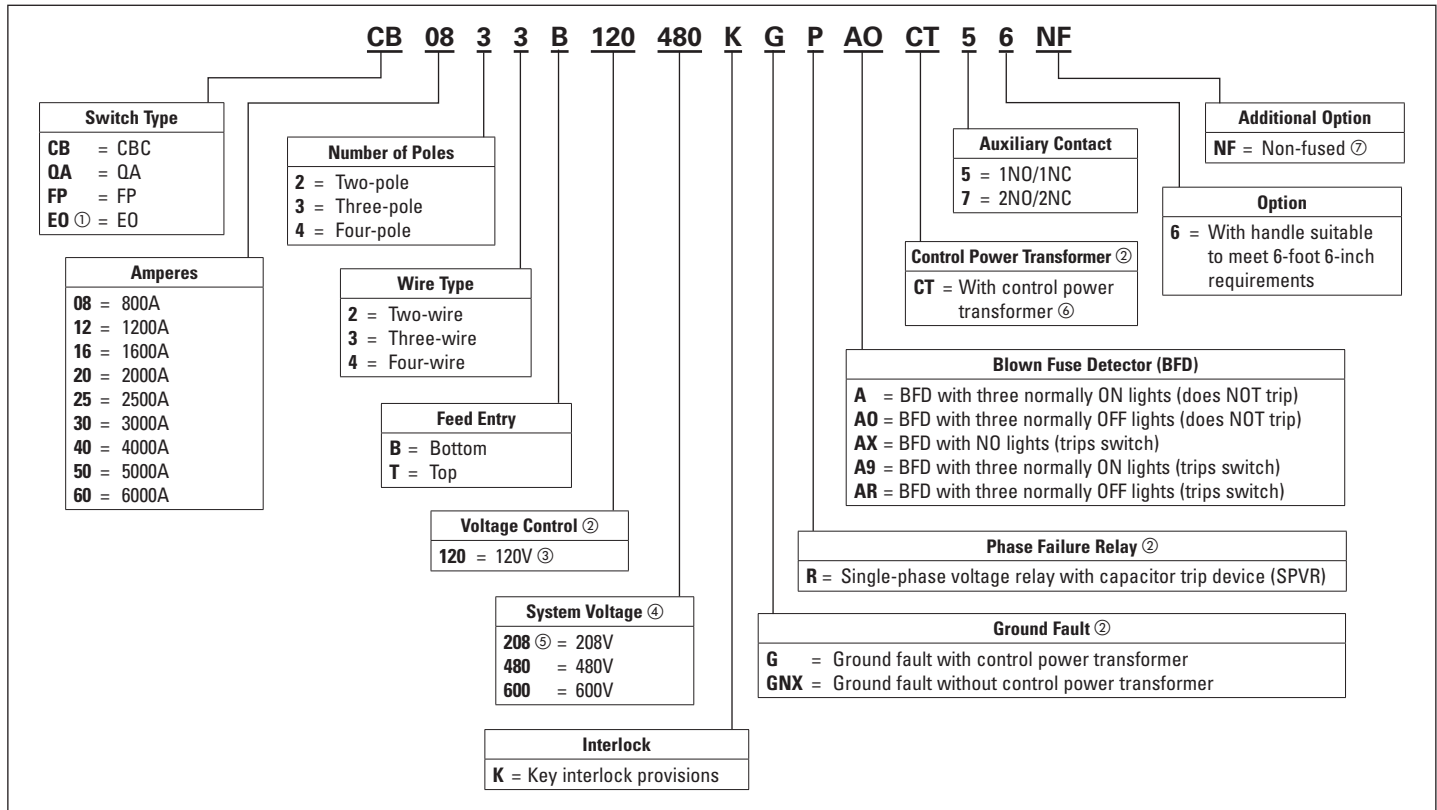
Table 4. Electrically Operated Switches

Type	Feed	Amperes	Old Pringle Catalog Number	Vista Catalog Number ①
FP	Bottom	800	CBC-0833-480-B-E0	E00833B120480
FP	Bottom	1200	CBC-1233-480-B-E0	E01233B120480
FP	Bottom	1600	CBC-1633-480-B-E0	E01633B120480
FP	Bottom	2000	CBC-2033-480-B-E0	E02033B120480
FP	Bottom	2500	CBC-2533-480-B-E0	E02533B120480
FP	Bottom	3000	CBC-3033-480-B-E0	E03033B120480
FP	Bottom	4000	CBC-0833-480-E0	E00833T120480
FP	Top	800	CBC-1233-480-E0	E01233T120480
FP	Top	1200	CBC-1633-480-E0	E01633T120480
FP	Top	1600	CBC-2033-480-E0	E02033T120480
FP	Top	2000	CBC-2533-480-E0	E02533T120480
FP	Top	2500	CBC-3033-480-E0	E03033T120480
FP	Top	3000	CBC-4033-480-E0	E04033T120480

① Substitute 480 with 208 when referencing a different system voltage.

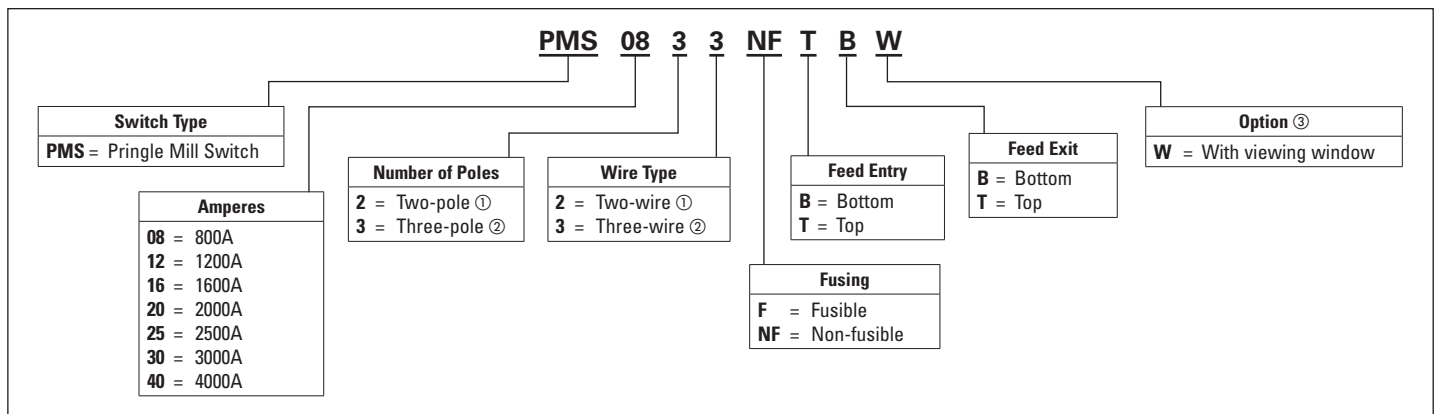
Catalog numbering systems

Table 5. Vista Catalog Numbering System—CB, QA, FP, EO



- ① Not UL Listed. A separate control box might be required when adding accessories.
- ② Not an option with QA type switches. GF option includes control power transformer.
- ③ 110 Vdc and 125 Vdc also available. Please contact the plant.
- ④ For different system voltage requirements, please contact the plant.
- ⑤ For QA switches, please use a 480V system catalog number when referencing a 208V system.
- ⑥ Only applicable if ordering a CPT only, without ground fault.
- ⑦ Only available with QA switches and in a top-feed configuration.

Table 6. Vista Catalog Numbering System—Pringle Mill Switch



- ① 250 Vdc.
- ② 480 Vac.
- ③ Additional available accessories/options—door interlock, special nameplates, special paint, auxiliary contacts. Please inquire at the Cleveland, TN, plant.

Pringle switch replacement parts

Replacement products

- Pole yoke assembly
- Arc chute assembly
- Arcing parts
- Auxiliary contact
- BFD—actuator
- Capacitor
- Clamping mechanism
- Coil/solenoid assembly
- Coil assembly
- Coil only
- Deadfront
- EO motor assembly
- Ground fault relay
- K interlock kit
- Limit switch
- Micro switch
- Pan assembly
- Pole assembly
- Sensor
- SPVR—single-phase voltage relay
- Transformers
- Handles

To place an order for replacement parts, please call
1-800-356-1243.

Cross-reference

Table 7. Cross-Reference

Description	Feed	Type	Vista Style/Catalog Number
Three-Pole Yoke Assembly			
800A	Bottom and top	QA and CBC	S10035
1200 and 2000A	Bottom and top	QA and CBC	S10036
2500A	Bottom and top	QA and CBC	S10037
3000 and 4000A	Bottom and top	QA and CBC	S10038
5000 and 6000A	Bottom and top	QA and CBC	S10039
Arc Chute Assembly			
Single-Pole	Bottom and top	QA and CBC	S10075
Arcing Parts			
800A, 480V	Top	QA and CBC	S10048
1200A, 480V	Top	QA and CBC	S10049
1600A, 480V	Top	QA and CBC	S10050
2000A, 480V	Top	QA and CBC	S10051
2500A, 480V	Top	QA and CBC	S10052
3000–6000A, 480V	Top	QA and CBC	S10053
800A, 600V	Top	QA and CBC	S10054
1200A, 600V	Top	QA and CBC	S10055
1600A, 600V	Top	QA and CBC	S10056
2000 and 2500A, 600V	Top	QA and CBC	S10057
3000–6000A, 600V	Top	QA and CBC	S10058
Auxiliary Contact			
Replacement auxiliary contact switch (std. 5 and 7)	Bottom and top	QA and CBC	6533
#5 Auxiliary contact kit (1NO/1NC)	Bottom and top	QA and CBC	S0005
#7 Auxiliary contact kit (2NO/2NC)	Bottom and top	QA and CBC	S0007
Blown Fuse Detection			
Bussmann blown fuse actuator #KAZ	Bottom and top	QA and CBC	6585
Blown fuse kit	Bottom and top	QA and CBC	S0001
Capacitor			
ITI CTD-2 capacitor	Bottom and top	QA and CBC	6415
Clamping Mechanism			
800A, 480V	Top	QA and CBC	S10040
1200A, 480V	Top	QA and CBC	S10041
1600A, 480V	Top	QA and CBC	S10042
2000A, 480V	Top	QA and CBC	S10043
2500A, 480V	Top	QA and CBC	S10044
3000A, 480V	Top	QA and CBC	S10045
4000A, 480V	Top	QA and CBC	S10046
5000A, 480V	Top	QA and CBC	S10047
Coil Assembly/Solenoid Assembly			
120V solenoid sub-assembly	Bottom and top	QA and CBC	S12013
120V coil only	Bottom and top	QA and CBC	6524
110 Vdc coil only	Bottom and top	QA and CBC	6528

Table 7. Cross-Reference, Continued

Description	Feed	Type	Vista Style/Catalog Number
Deadfront/Operating Mechanism			
800–2000A	Bottom and top	CBC	P50014
2500A	Bottom and top	CBC	P50015
3000 and 4000A	Bottom and top	CBC	P50016
800–2000A (with key interlock provisions)	Bottom and top	CBC	P51080
2500A (with key interlock provisions)	Bottom and top	CBC	P51081
3000–4000A (with key interlock provisions)	Bottom and top	CBC	P51082
5000 and 6000A (with key interlock provisions)	Bottom and top	CBC	S10062
5000 and 6000A (QA CBC D/F)	Bottom and top	CBC	S10068
800A	Bottom and top	QA	S10064
1200 and 2000A	Bottom and top	QA	S10065
2500A	Bottom and top	QA	S10066
3000 and 4000A	Bottom and top	QA	S10067
5000 and 6000A (service D/F)	Bottom and top	QA	S20501
800–2000A, special	Bottom and top	QA	S10069
2500A, special	Bottom and top	QA	S10070
3000–4000A, special	Bottom and top	QA	S10071
3000 and 4000A (with key interlock provisions)	Bottom and top	QA	S10079
Ground Fault Relay			
BGFL-159-1200 ITI ground fault relay	Bottom and top	QA and CBC	4276
K Interlock Kit			
800–4000A	Bottom and top	QA	S1805R
800–4000A	Bottom and top	CBC	S1806R
Switch			
Replacement limit switch	Bottom and top	QA and CBC	6534
MT 4RV A 28 micro switch	Bottom and top	QA and CBC	6536
Pan Assembly—SPVR Relay and CPT—480 Vac			
800–2000A	Bottom	CBC	P55325
2500A	Bottom	CBC	P55326
3000–4000A	Bottom	CBC	P55327
800–2000A	Top	CBC	P51724
2500A	Top	CBC	P55421
3000–4000A	Top	CBC	P51726
Pan Assembly—GF and SPVR Relay and CPT—480 Vac			
800–2000A	Top	CBC	P55422
2500A	Top	CBC	P55423
3000–4000A	Top	CBC	P55424
800–2000A	Bottom	CBC	P51750
2500A	Bottom	CBC	P55437
3000–4000A	Bottom	CBC	P55425
Pan Assembly—GF and CPT—480 Vac			
800–2000A	Top	CBC	P55502
2500A	Top	CBC	P55503
3000–4000A	Top	CBC	P55504
800–2000A	Bottom	CBC	P55508
2500A	Bottom	CBC	P55509
3000–4000A	Bottom	CBC	P55510

Table 7. Cross-Reference, Continued

Description	Feed	Type	Vista Style/Catalog Number
Pan Assembly—GF and CPT—208 Vac			
800–2000A	Top	CBC	P55505
2500A	Top	CBC	P55506
3000–4000A	Top	CBC	P55507
800–2000A	Bottom	CBC	P55511
2500A	Bottom	CBC	P55512
3000–4000A	Bottom	CBC	P55513
Pole Assembly			
800A, 480V	Top	QA and CBC	S10005
1200A, 480V	Top	QA and CBC	S10006
1600A, 480V	Top	QA and CBC	S10007
2000A, 480V	Top	QA and CBC	S10008
2500A, 480V	Top	QA and CBC	S10009
3000A, 480V	Top	QA and CBC	S10010
4000A, 480V	Top	QA and CBC	S10011
5000A, 480V	Top	QA and CBC	S10012
800A, 480V	Bottom	QA and CBC	S10013
1200A, 480V	Bottom	QA and CBC	S10014
1600A, 480V	Bottom	QA and CBC	S10015
2000A, 480V	Bottom	QA and CBC	S10016
2500A, 480V	Bottom	QA and CBC	S10017
3000A, 480V	Bottom	QA and CBC	S10018
4000A, 480V	Bottom	QA and CBC	S10019
5000A, 480V	Bottom	QA and CBC	S10020R
800A, 600V	Bottom	QA and CBC	S10021
1200A, 600V	Bottom	QA and CBC	S10022
1600A, 600V	Bottom	QA and CBC	S10023
2000A, 600V	Bottom	QA and CBC	S10024
2500A, 600V	Bottom	QA and CBC	S10025
3000A, 600V	Bottom	QA and CBC	S10026
4000A, 600V	Bottom	QA and CBC	S10027
800A, 600V	Top	QA and CBC	S10028
1200A, 600V	Top	QA and CBC	S10029
1600A, 600V	Top	QA and CBC	S10030R
2000A, 600V	Top	QA and CBC	S10031
2500A, 600V	Top	QA and CBC	S10032
3000A, 600V	Top	QA and CBC	S10033
4000A, 600V	Top	QA and CBC	S10034
Sensor			
800–2000A (8.0 x 18.0)	Bottom and top	CBC	4296
2500A (8.0 x 24.0)	Bottom and top	CBC	4297
3000 and 4000A (8.0 x 36.0)	Bottom and top	CBC	4298
800–2000A, split core (8.0 x 18.0)	Bottom and top	CBC	4296SC
2500A, split core (8.0 x 24.0)	Bottom and top	CBC	4297SC
3000–4000A, split core (8.0 x 36.0)	Bottom and top	CBC	4298SC

Table 7. Cross-Reference, Continued

Description	Feed	Type	Vista Style/Catalog Number
Barriers			
800A	Top	QA	S5008
1200–2000A	Top	QA	S5016
2500A	Top	QA	S5025
3000–4000A	Top	QA	S5040
800A	Bottom	QA	S5208
1200–2000A	Bottom	QA	S5216
2500A	Bottom	QA	S5225
3000A	Bottom	QA	S5230
4000A	Bottom	QA	S5240
800–2000A	Top	CBC and special	S5416
2500A	Top	CBC and special	S5425
3000–4000A	Top	CBC and special	S5440
800–2000A	Bottom	CBC and special	S5616
2500A	Bottom	CBC and special	S5625
3000A	Bottom	CBC and special	S5630
4000A	Bottom	CBC and special	S5640
SPVR—Single-Phase Voltage Relay Kit			
480V (includes relay and support)	Bottom and top	QA and CBC	7137R
208V (includes relay and support)	Bottom and top	QA and CBC	7139R
TB Pole Assembly			
4000A, PMS (N/F)	Bottom and top	QA and CBC	S10063
Transformers			
480V	Bottom and top	QA and CBC	4270
208V	Bottom and top	QA and CBC	4272
Handles			
800A	Bottom and top	QA	2450
800A, with provision for 6-foot 6-inch handle	Bottom and top	QA	2452
800–2500A, ECOTE	Bottom and top	QA ①	2477
800–2500A, ECOTE, with provision for 6-foot 6-inch handle	Top	QA ①	2521R
800–2500A, ECOTE, with provision for 6-foot 6-inch handle	Bottom	QA ①	2522R
1200–2500A	Bottom and top	QA	2476
1200–2500A, with provision for 6-foot 6-inch handle	Top	QA	2442
1200–2500A, with provision for 6-foot 6-inch handle	Bottom	QA	2443
3000–4000A, ECOTE, with provision for 6-foot 6-inch handle	Top	QA ①	2524R
3000–4000A, ECOTE, with provision for 6-foot 6-inch handle	Bottom	QA ①	2525R
3000–4000A	Bottom and top	QA	2491
3000–4000A	Bottom and top	QA ①	2492
3000–4000A, with provision for 6-foot 6-inch handle	Top	QA	2446
3000–4000A, with provision for 6-foot 6-inch handle	Bottom	QA	2447

① Special.

Table 7. Cross-Reference, Continued

Description	Feed	Type	Vista Style/Catalog Number
Handles, Continued			
5000–6000A	Bottom and top	QA and CBC	2515R
800–2500A	Top	CBC	2463
800–2500A	Bottom	CBC	2467
800–2500A, ECOTE	Top	CBC ①	2464
800–2500A, ECOTE	Bottom	CBC ①	2468
800–2500A, with provision for 6-foot 6-inch handle	Top	CBC	2444
800–2500A, with provision for 6-foot 6-inch handle	Bottom	CBC	2453
800–2500A, ECOTE, with provision for 6-foot 6-inch handle	Top	CBC ①	2523
800–2500A, ECOTE, with provision for 6-foot 6-inch handle	Bottom	CBC ①	2527
3000–4000A	Top	CBC	2498
3000–4000A	Bottom	CBC	2502R
3000–4000A, ECOTE	Top	CBC ①	2499
3000–4000A, ECOTE	Bottom	CBC ①	2503R
3000–4000A, with provision for 6-foot 6-inch handle	Top	CBC	2448
3000–4000A, ECOTE, with provision for 6-foot 6-inch handle	Bottom	CBC	2454
3000–4000A, ECOTE, with provision for 6-foot 6-inch handle	Top	CBC ①	2526
3000–4000A, ECOTE, with provision for 6-foot 6-inch handle	Bottom	CBC ①	2528R
800A	—	PMS	2461
1200–2500A	—	PMS	2485
3000–4000A	—	PMS	2512R
Other			
Panel spacer, 1200–4000A	Bottom and top	QA and CBC	0911
Trim plate, 800–4000A	Bottom and top	QA	3035
Trim plate, 800–4000A	Bottom and top	CBC	3036

① Special.

Eaton Corporation
Electrical Sector
1111 Superior Avenue
Cleveland, OH 44114 USA
Eaton.com

© 2012 Eaton Corporation
All Rights Reserved
Printed in USA
Publication No. TD00808001E / Z12960
November 2012



Eaton is a registered trademark
of Eaton Corporation.

All other trademarks are property
of their respective owners.